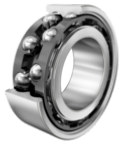


FAG

**3308-BD-XL-TVH**

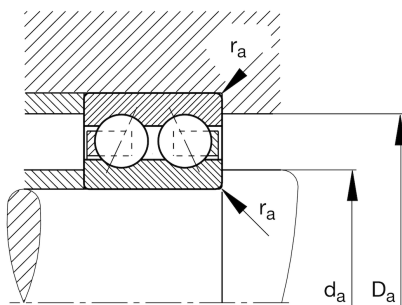
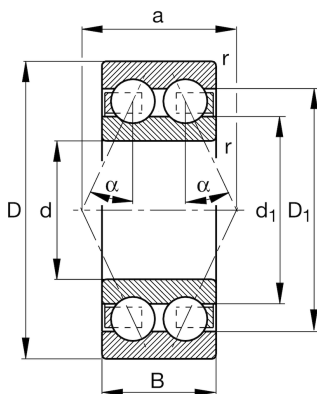
Angular contact ball bearing

Schaeffler ID:  
0622732560000

Angular contact ball bearing 33..-BD-XL-TVH, double row, X-life, plastic cage

X-life

## Technical information

**Main Dimensions & Performance Data**

d	40 mm	Bore diameter
D	90 mm	Outside diameter
B	36.5 mm	Width
$C_r$	67,000 N	Basic dynamic load rating, radial
$C_{0r}$	48,500 N	Basic static load rating, radial
$C_{ur}$	3,350 N	Fatigue load limit, radial
$n_G$	8,000 1/min	Limiting speed
$n_{gr}$	7,000 1/min	Reference speed
	0.97 kg	Weight

**Mounting dimensions**

$d_{a \min}$	49 mm	Minimum diameter shaft shoulder
$D_{a \max}$	81 mm	Maximum diameter of housing shoulder
$r_{a \max}$	1.5 mm	Maximum fillet radius

**Dimensions**

$r_{\min}$	1.5 mm	Minimum chamfer dimension
$D_1$	77 mm	Shoulder diameter outer ring
$d_1$	59 mm	Shoulder diameter inner ring
a	53.1 mm	Distance between the apexes of the pressure cones
$\alpha$	30 °	Contact angle

**Temperature range**

$T_{\min}$	-30 °C	Operating temperature min.
$T_{\max}$	120 °C	Operating temperature max.